

Vido

Intelligent Fan Convectors



Residential/Commercial High & Low Temp Fan Convectors
Up to 37.2 BTU/HR for Heating / Up to 14.2 BTU/HR for Cooling
Enameled Finish for Scratch & Corrosion Resistance
Compatible With Standard and Condensing Boilers
Virtually Silent Fan Operation at Max Setting



VIDO INTELLIGENT FAN CONVECTOR



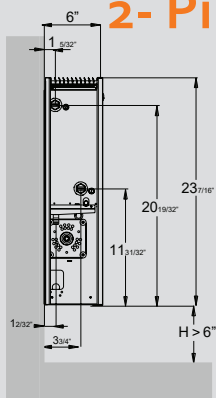
2- Pipe Unit

Model	Type	Height (in)	Length (in)	Weight (lbs)	Fan Speed	Water Flow (GPM)	Outputs Heating (BTU/HR)		Outputs Cooling (BTU/HR)		UPC#
							Output (BTU/HR) @ 180°F	Output (BTU/HR) @ 140°F	Total	Sensible	
VDO2 2432	2	24	32		Normal	1.5	8,423	5,304	2,389	1,799	
					Medium	1.5	11,098	6,990	3,843	2,829	
					Boost	1.5	14,874	9,377	5,625	4,188	
VDO2 2440	2	24	40		Normal	2.0	11,531	7,260	3,451	2,570	6438371479882
					Medium	2.0	15,134	9,533	5,461	4,021	
					Boost	2.0	20,593	12,984	7,864	5,857	
VDO2 2448	2	24	48		Normal	2.65	13,919	8,761	5,188	3,178	6438371480093
					Medium	2.65	18,505	11,655	6,689	4,922	
					Boost	2.65	26,323	16,597	9,959	7,416	
VDO2 2456	2	24	56		Normal	3.1	16,364	10,299	5,085	3,788	6438371479905
					Medium	3.1	21,882	13,783	7,918	5,826	
					Boost	3.1	31,755	20,023	12,058	8,980	
VDO2 2464	2	24	64		Normal	3.5	18,864	11,784	5,901	4,396	6438371479912
					Medium	3.5	25,262	15,911	9,143	6,730	
					Boost	3.5	37,178	23,443	14,154	10,539	

4- Pipe Unit

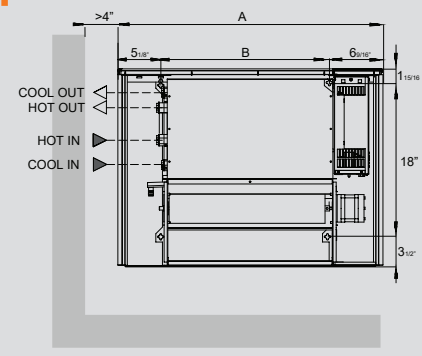
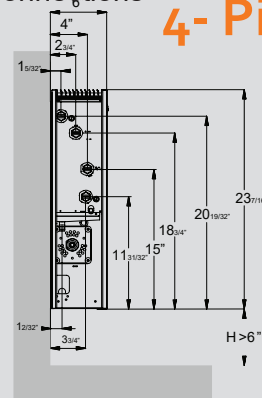
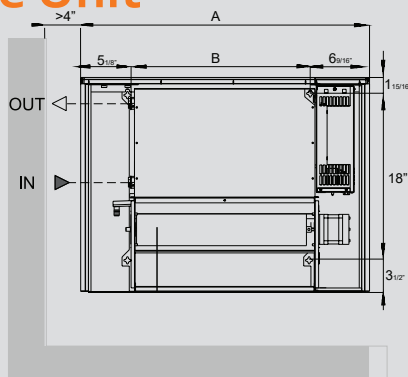
Model	Type	Height (in)	Length (in)	Weight (lbs)	Fan Speed	Water Flow (GPM)	Outputs Heating (BTU/HR)		Outputs Cooling (BTU/HR)		UPC#
							Output (BTU/HR) @ 180°F	Output (BTU/HR) @ 140°F	Total	Sensible	
VDO4 2432	4	24	32		Normal	1.32	5,961	3,752	2,292	1,708	
					Medium	1.32	7,880	4,961	3,650	2,687	
					Boost	1.32	10,613	6,686	5,342	3,977	
VDO4 2440	4	24	40		Normal	1.54	8,116	5,109	3,277	2,441	6438371480086
					Medium	1.54	10,671	6,720	5,186	3,818	
					Boost	1.54	14,557	9,175	7,468	5,562	
VDO4 2448	4	24	48		Normal	1.76	9,717	6,118	4,927	3,018	6438371480093
					Medium	1.76	12,911	8,133	6,353	4,674	
					Boost	1.76	18,340	11,565	9,458	7,044	
VDO4 2456	4	24	56		Normal	1.98	11,404	7,179	4,830	3,598	6438371480109
					Medium	1.98	15,227	9,593	7,520	5,533	
					Boost	1.98	22,040	13,901	11,452	8,528	
VDO4 2464	4	24	64		Normal	2.2	13,125	8,263	5,604	4,175	6438371480116
					Medium	2.2	18,048	11,360	8,684	6,391	
					Boost	2.2	26,820	16,895	13,442	10,009	

2- Pipe Unit



3/4" Supply and return connections

4- Pipe Unit



The 4-pipe VIDO has two heat coils enabling separate connections to boilers and chillers allowing a building to be heated and cooled simultaneously.

Technical Advantages

- Intelligent room controls
- Silent operation
- Heating and cooling capabilities
- Low temp Compatible

ROUGH IN DIMENSIONS		
Model	A	B
VDO2 2432 OR VDO4 2432	31 1/2"	19 13/16"
VDO2 2440 OR VDO4 2440	39 3/8"	27 11/16"
VDO2 2448 OR VDO4 2448	47 1/4"	35 9/16"
VDO2 2456 OR VDO4 2456	55 1/8"	43 7/16"
VDO2 2464 OR VDO4 2464	63	51 5/16"

