

KONTEC

Tube Radiators



Elegant Architectural Design Radiators
Outputs Up To 9,906 BTU/HR
Available in Horizontal and Vertical Configurations
Side Panels and Top Grille Included

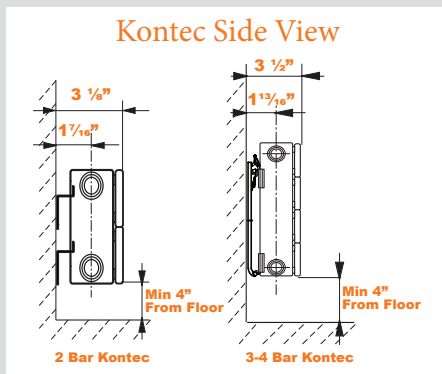
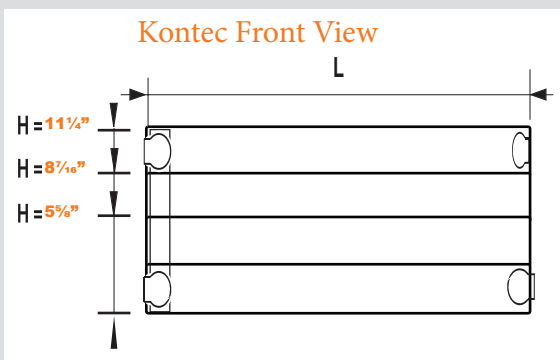


KONTEC TUBE RADIATORS



The “Kontec” architectural, flat tube, radiators are ideal for providing warmth, style and efficiency to your living space. With their horizontal arrays of flattened tubes, Kontec radiators will supply comfortable heat at low flow temperatures eliminating drafts and cold spots. Convector fins welded to the tubes on the back of the radiator help increase heat transfer from the boiler water to the room space. Kontec panels are available in a variety of sizes to fit almost any requirement.

Kontec Actual Dimensions



Horizontal Panels

All Kontec Radiators have 4 - 1/2" side connections

Radiator Model	Type	Tubes	Height (in)	Length (in)	Output (BTU/HR) @ 180°F	Output (BTU/HR) @ 140°F	Weight (lbs)	Water Content (gal)	UPC#			
KK062411	11	2	6	24	1,254	702	11	0.18	6438149243783			
KK063611				36	1,881	1,055	16	0.27	6438149243844			
KK064811				48	2,508	1,404	21	0.36	6438149243905			
KK066311				63	3,150	1,843	28	0.47	6438149243981			
KK067111				71	3,762	2,077	31	0.53	6438149244025			
KK068711				87	4,423	2,545	38	0.65	6438149244087			
KK069511				95	5,016	2,780	42	0.72	6438149244100			
KK0611911				119	6,270	3,510	54	1.00	6438149244162			
KK092411				11	3	9	24	1,518	849	15	0.26	6438149244308
KK093611							36	2,282	1,277	22	0.39	6438149244346
KK094811	48	3,041	1,702				30	0.52	6438149244421			
KK096311	63	4,051	2,267				39	0.69	6438149244506			
KK097111	71	4,558	2,551				44	0.78	6438149244544			
KK099511	95	6,082	3,404				59	1.05	6438149244629			
KK0911911	11	4	12	119	7,599	4,253	61	1.57	6438149244681			
KK122411				24	2,476	1,386	24	0.52	6438149244827			
KK123611				36	3,715	2,079	36	0.78	6438149244889			
KK124811				48	4,951	2,771	59	1.05	6438149244940			
KK126311				63	6,603	3,696	74	1.31	6438149245022			
KK127111				71	7,430	4,159	89	1.57	6438149245060			
KK129511				95	9,906	5,544	118	2.09	6438149245145			

**outputs based on water supply temperatures @ 20°Δ T x 68°F room temperature

All Kontec Radiators: Test Pressure: 191 psi Max Operating Pressure: 147 psi

Standard Components

- White enameled appliance finish
- Contoured side panels and top grille
- Installed thermostatic valve, plugs, and air vent

Now offering an extensive range of colors. Please contact us for details.

